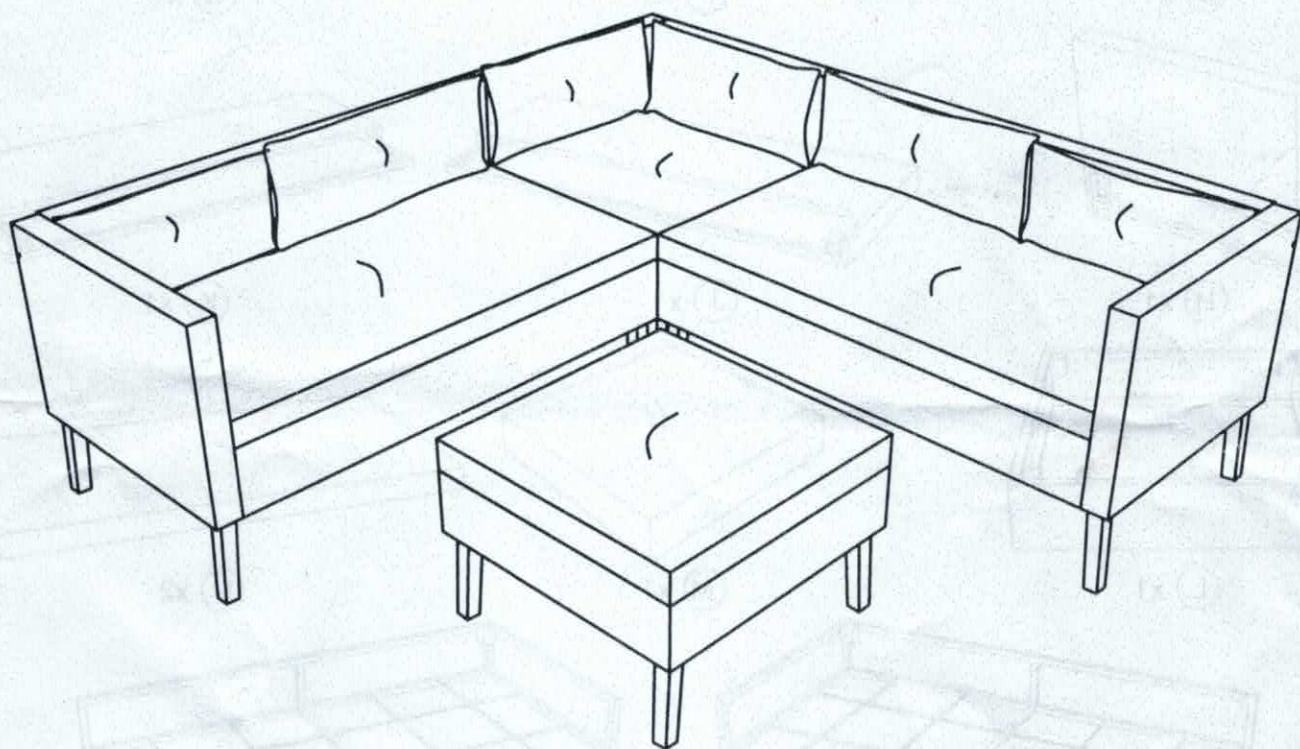
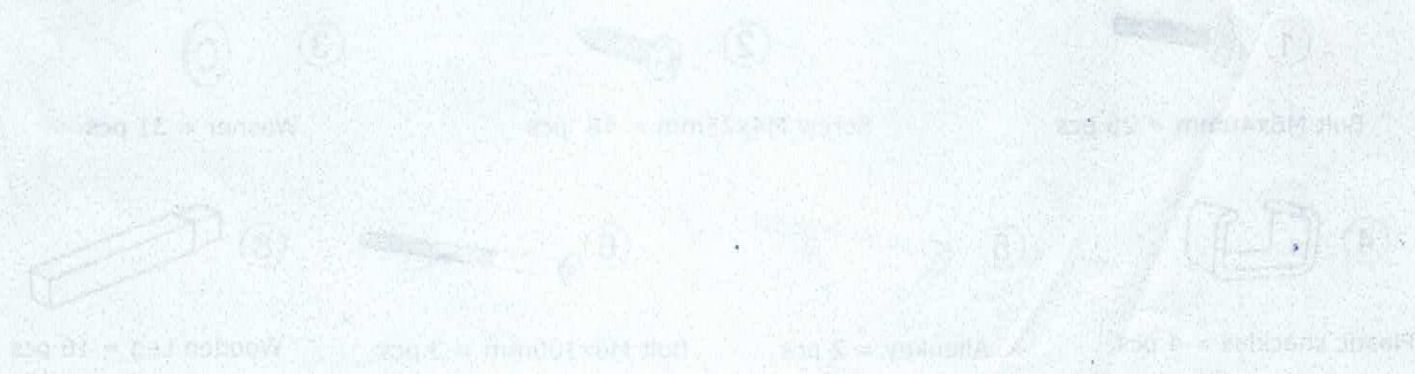


ASSEMBLY INSTRUCTION

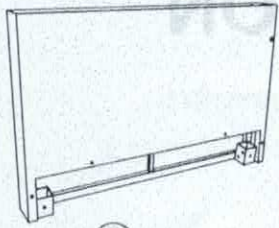
IMOLA SET



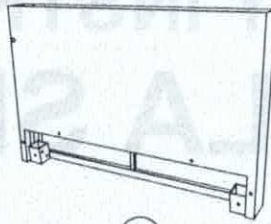
HARDWARE:



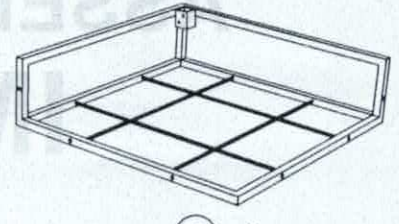
COMPONENTS:



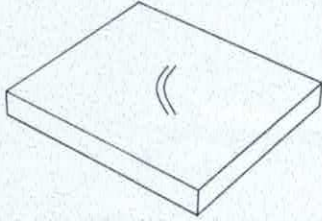
(A) x2



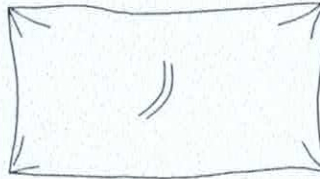
(B) x1



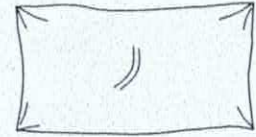
(C) x1



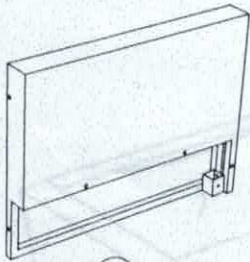
(D) x1



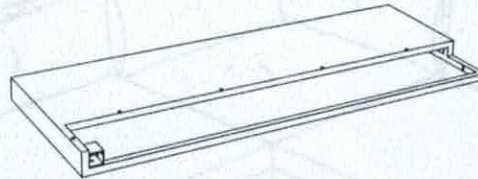
(F) x5



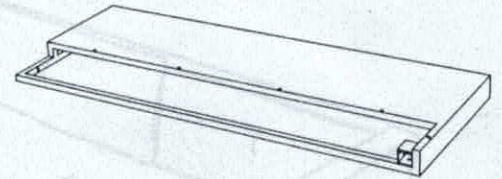
(G) x1



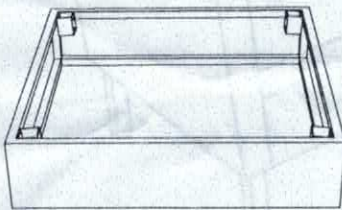
(H) x1



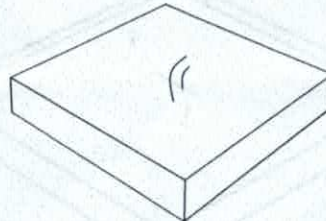
(J) x1



(K) x1



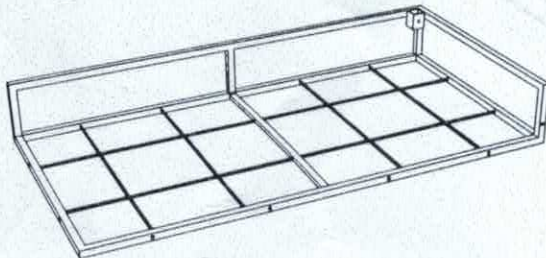
(L) x1



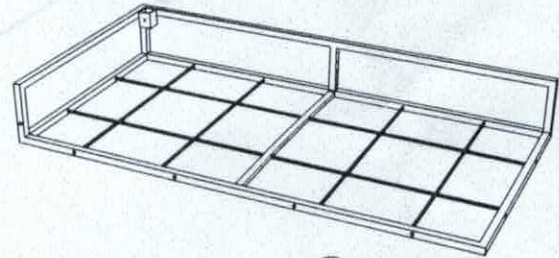
(M) x1



(N) x2



(P) x1



(Q) x1

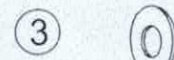
HARDWARE:



Bolt M6x40mm = 28 pcs



Screw M4x25mm = 48 pcs



Washer = 31 pcs



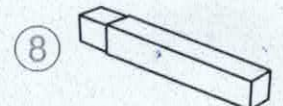
Plastic shackles = 4 pcs



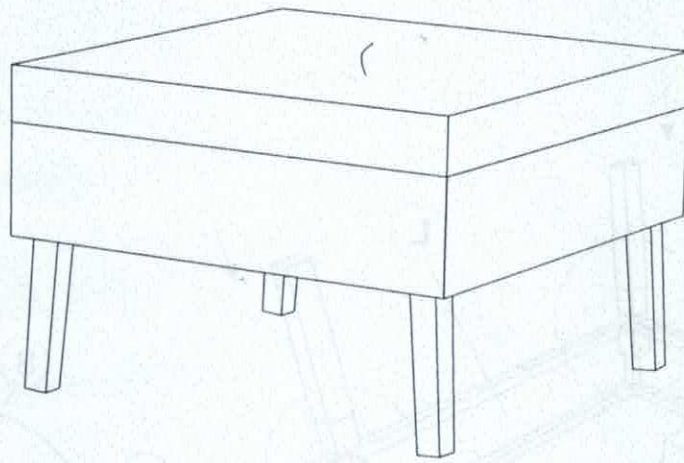
Allenkey = 2 pcs

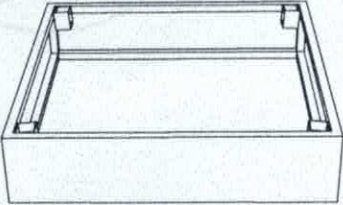
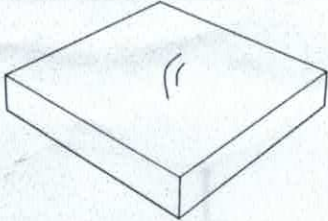



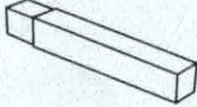
Bolt M6x100mm = 3 pcs

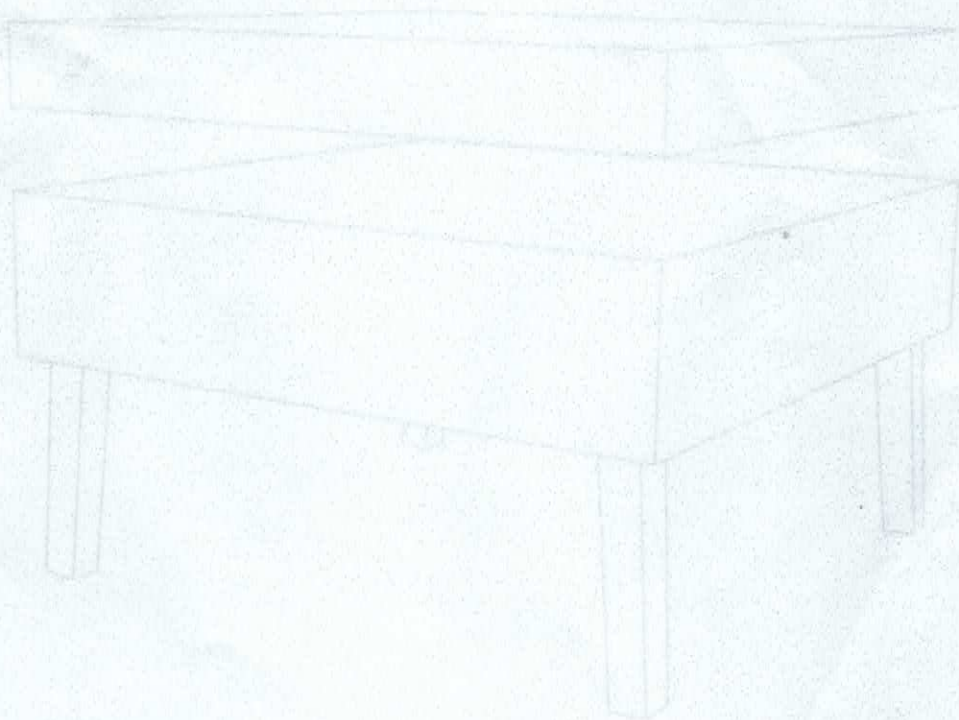


Wooden Leg = 16 pcs

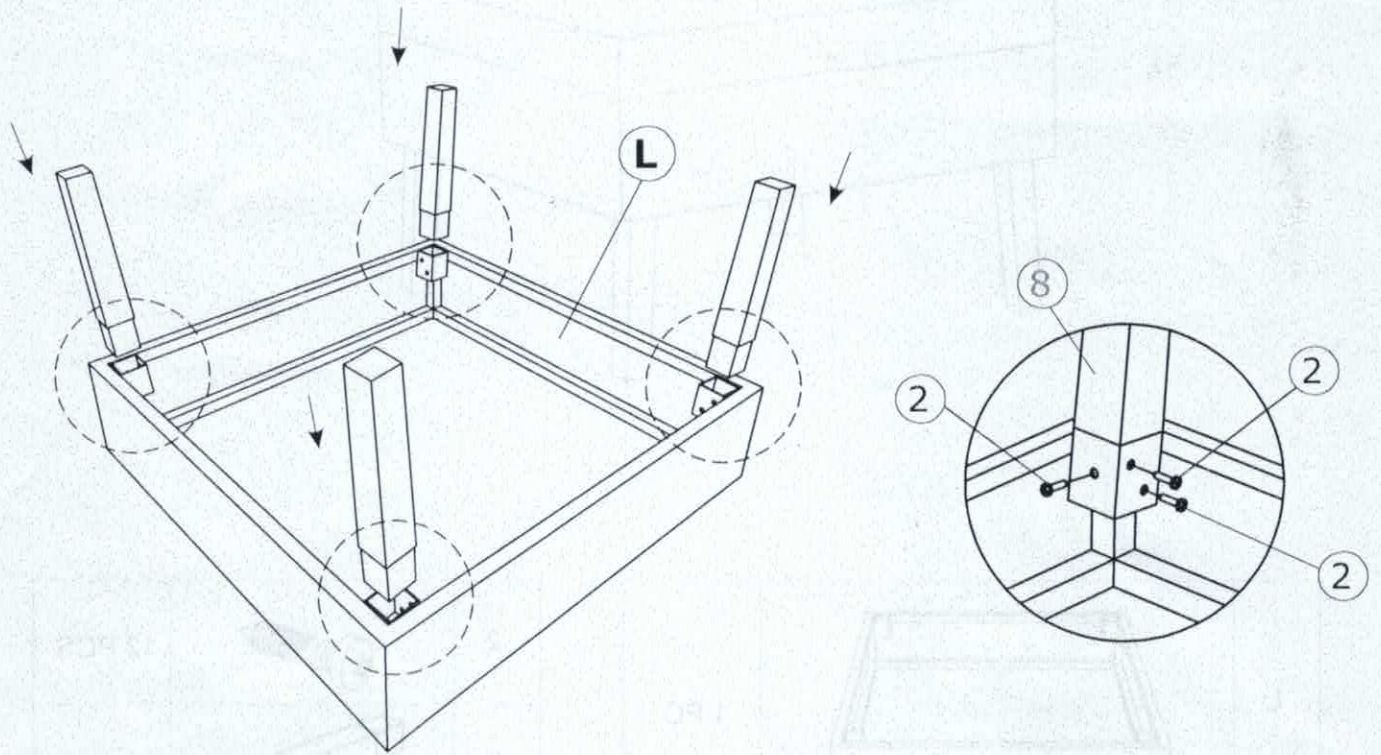
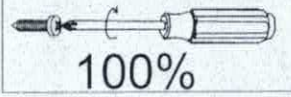


L		1 PC
M		1 PC

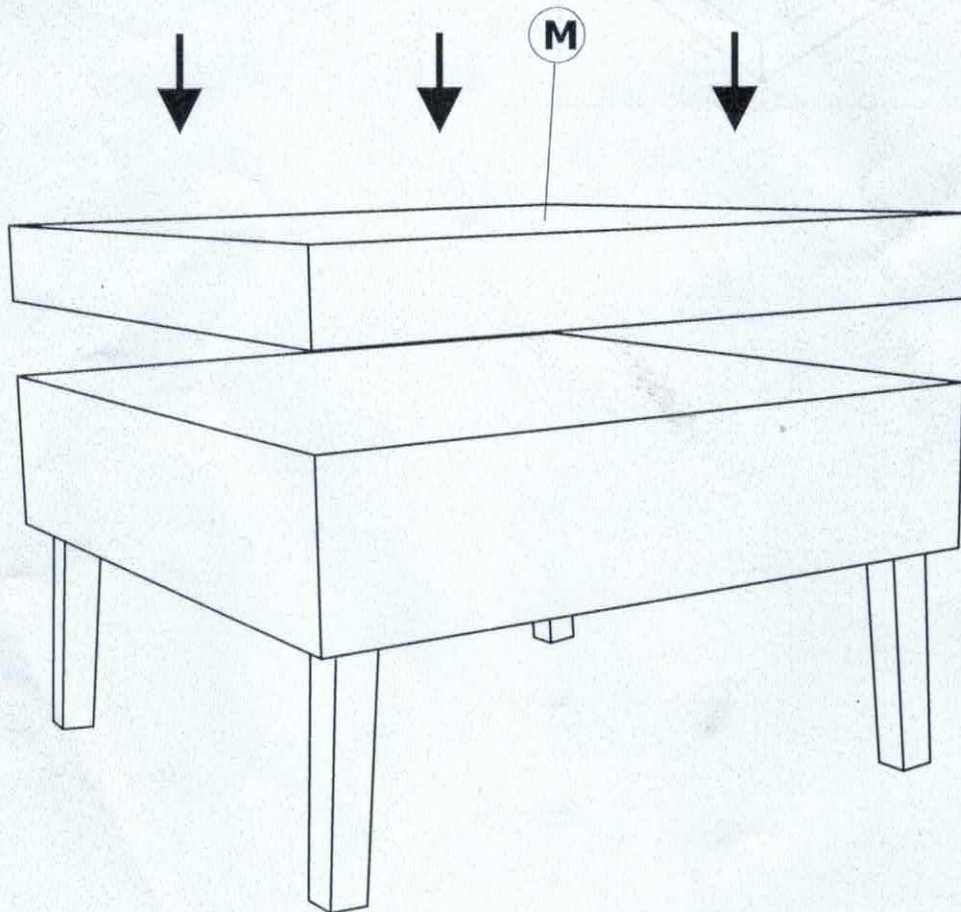
2		12 PCS
8		4 PCS

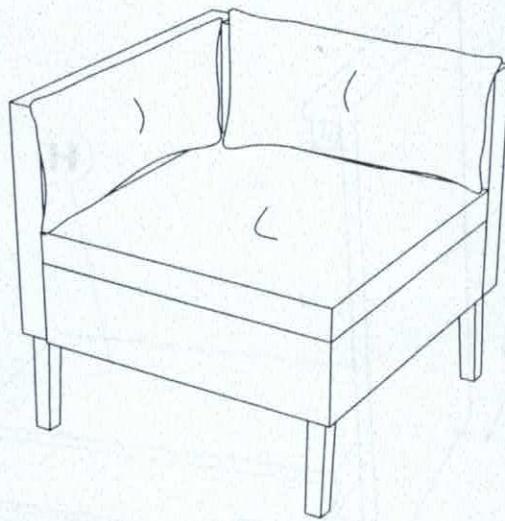


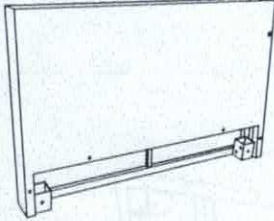
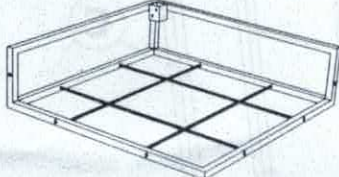
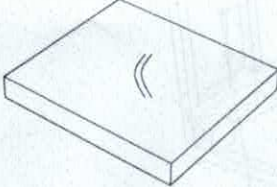
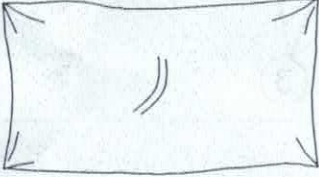
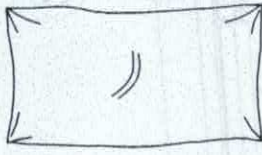
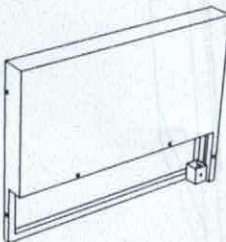
Step 1:






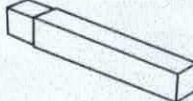


Step 2:

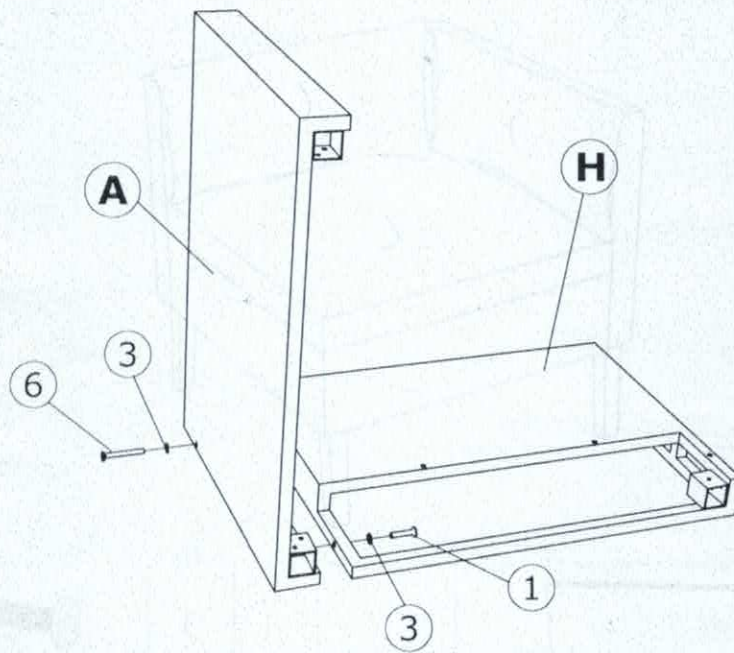




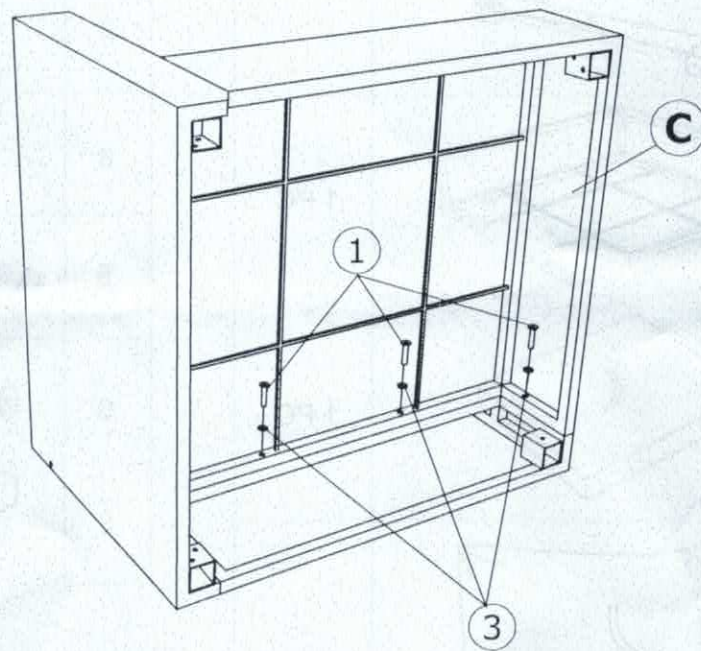
A		1 PC
C		1 PC
D		1 PC
F		1 PC
G		1 PC
H		1 PC

1	 M6x40 mm	8 PCS
2	 Screw M4x25mm	12 PCS
3	 washers	9 PCS
5		1 PC
6	 M6x100 mm	1 PC
8		4 PCS

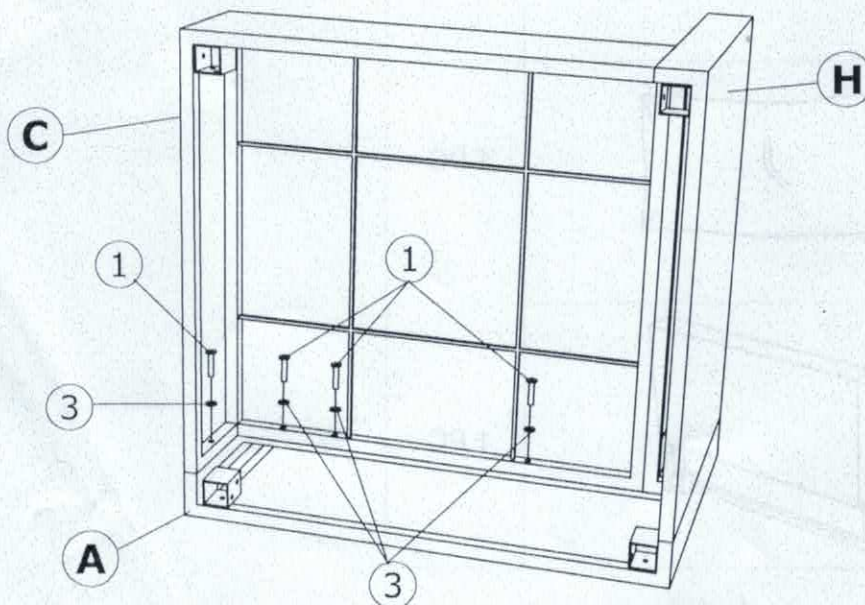
Step 1:



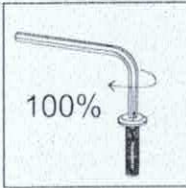
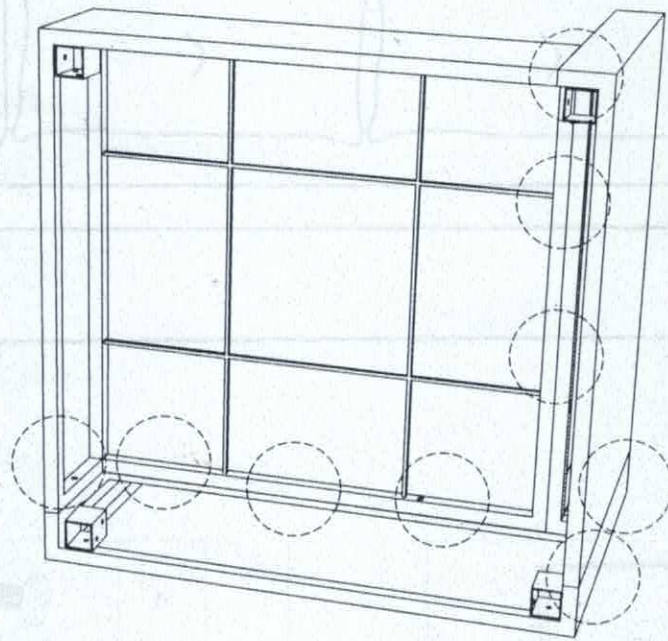
Step 2:



Step 3:

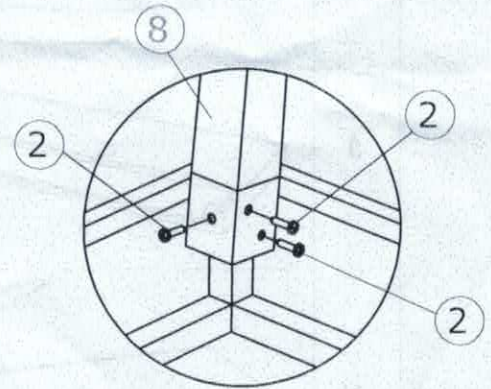
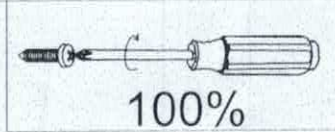
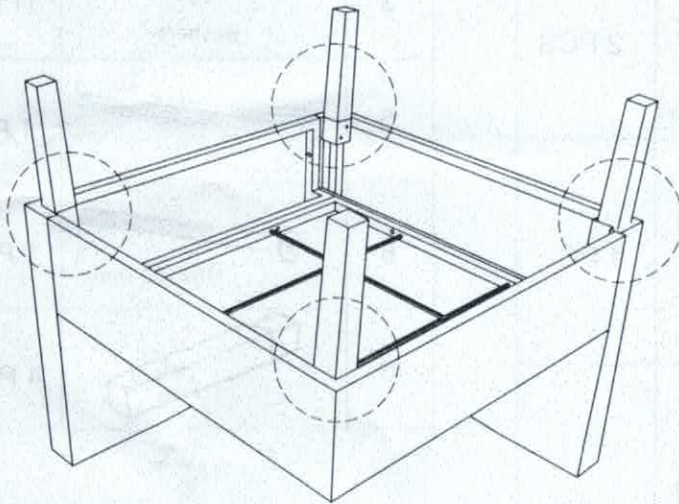


Step 4:

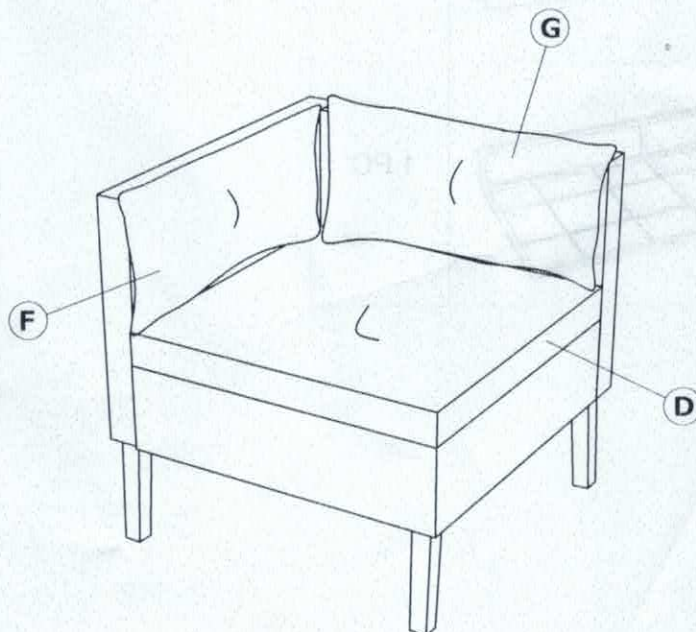


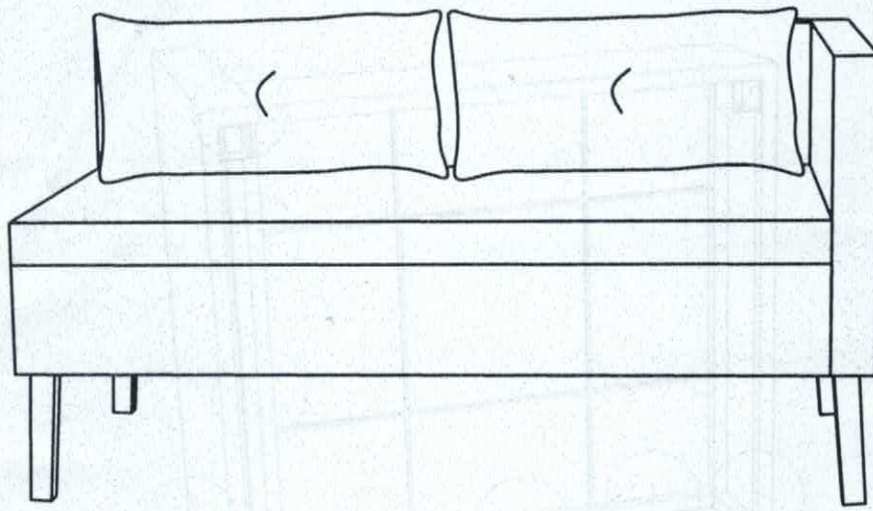
Tighten all bolts 100% - 9 positions

Step 5:



Step 6:

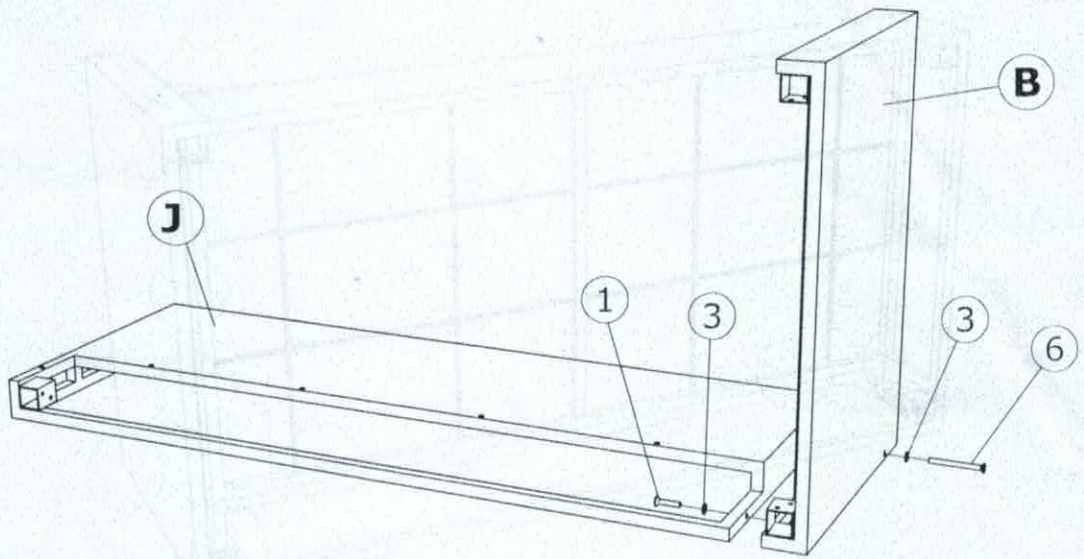




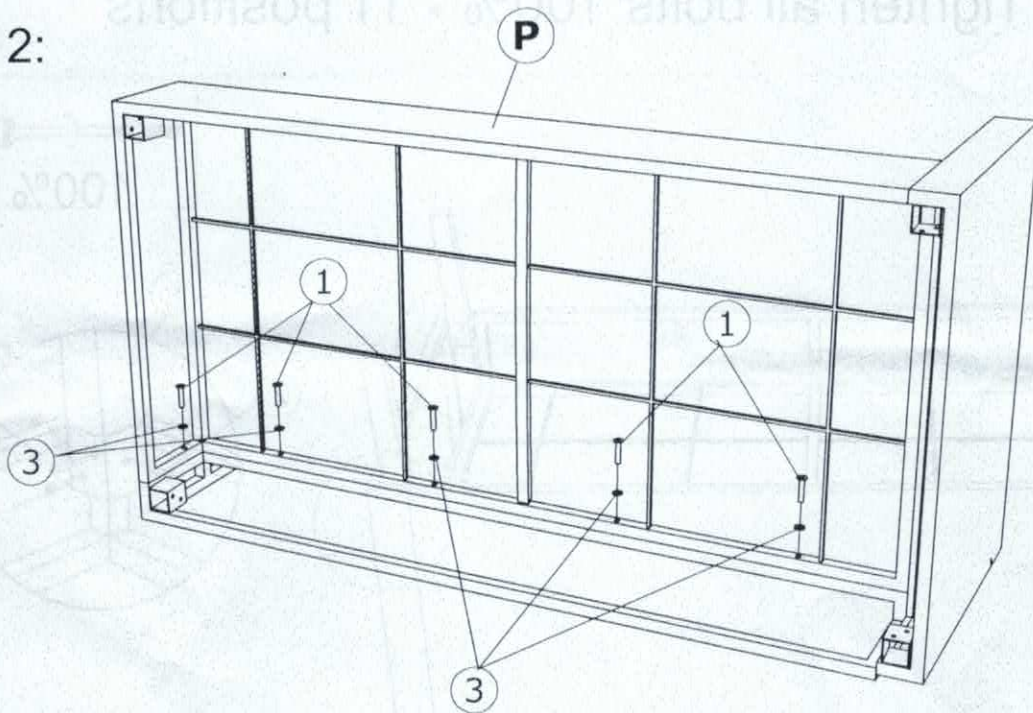
B		1 PC
F		2 PCS
J		1 PC
N		1 PC
Q		1 PC

1	 M6x40 mm	10 PCS
2	 Screw M4x25mm	12 PCS
3	 washers	11 PCS
5		1 PC
6	 M6x100 mm	1 PCS
8		4 PCS

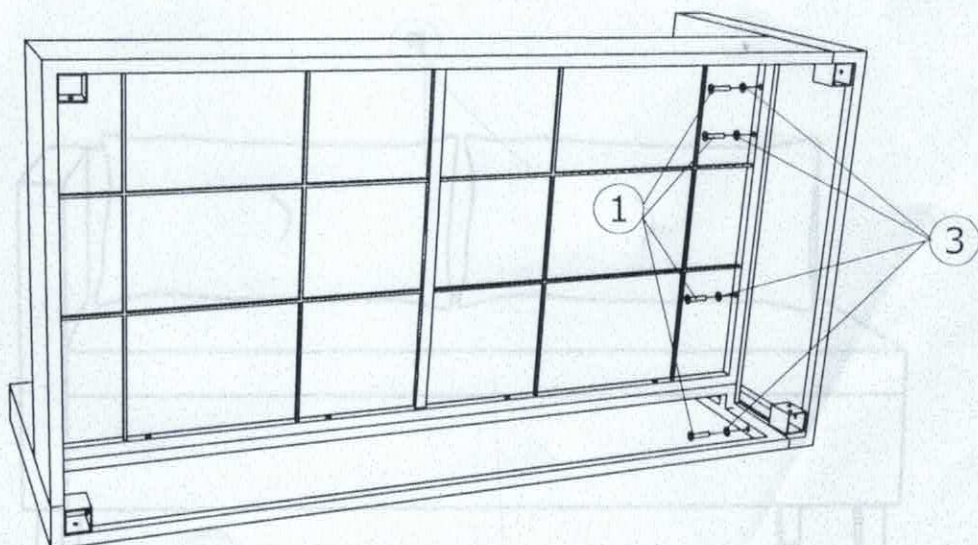
Step 1:



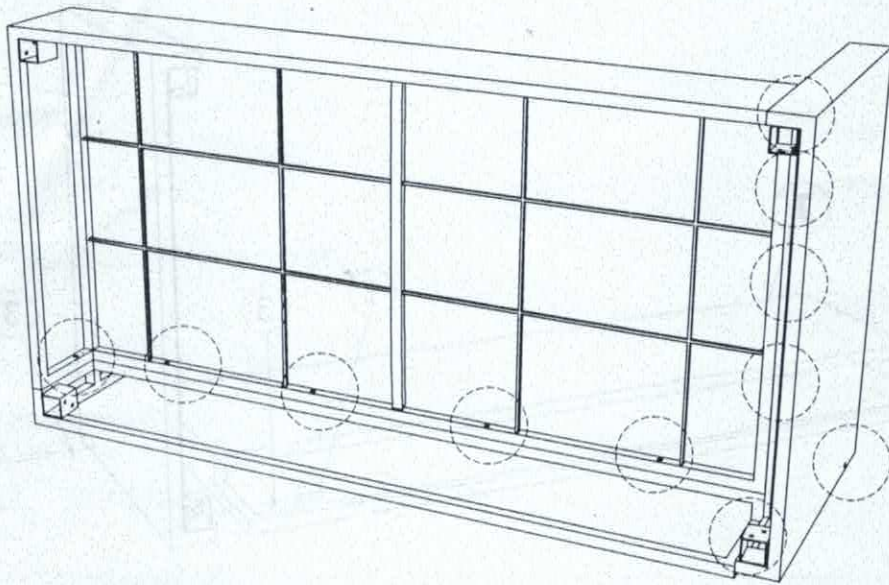
Step 2:



Step 3:

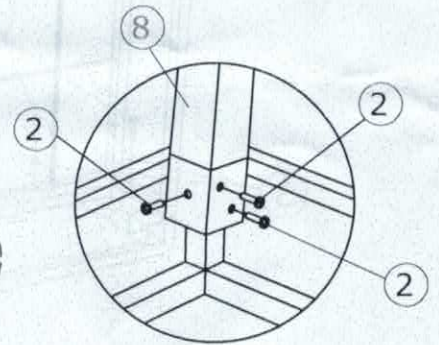
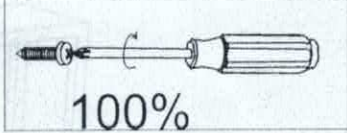
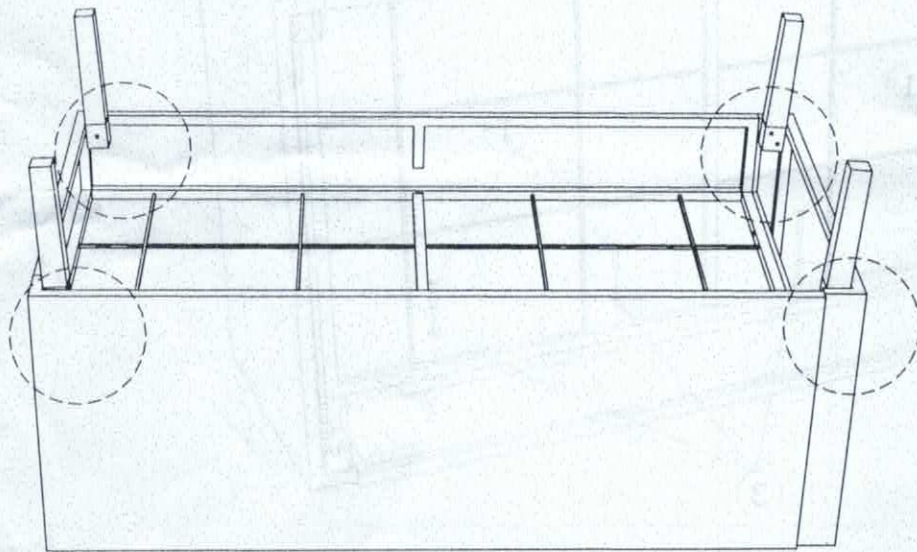


Step 4:

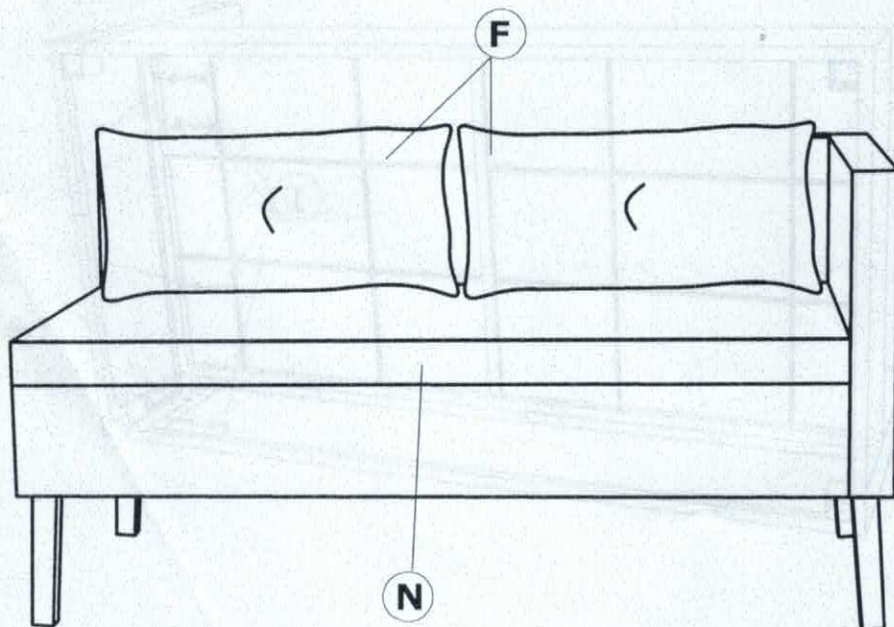


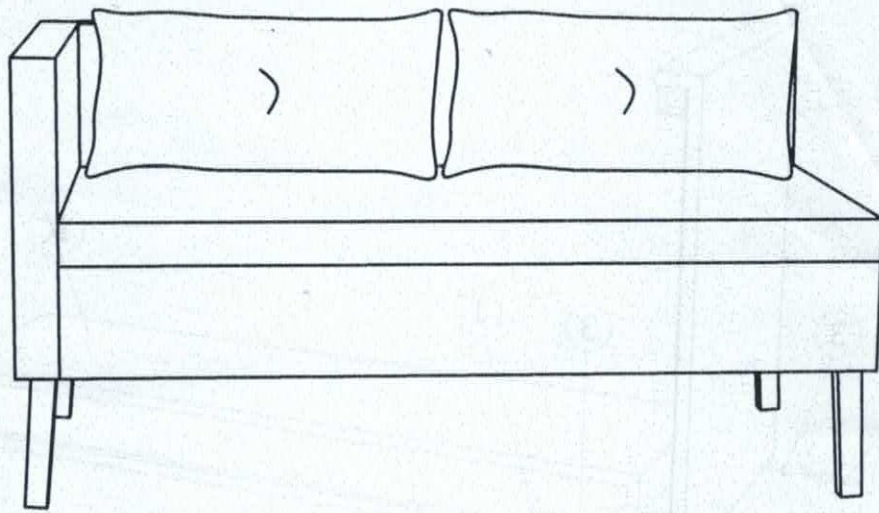
Tighten all bolts 100% - 11 positions

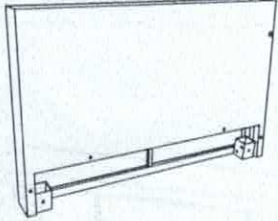
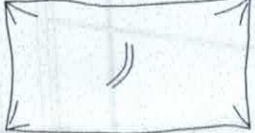
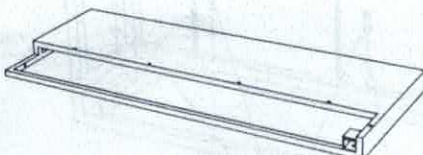
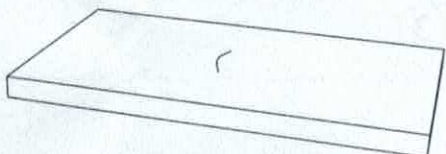
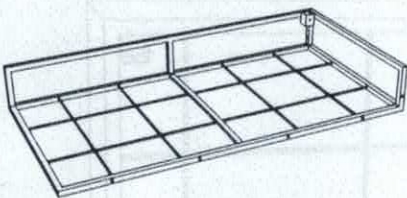
Step 5:










Step 6:

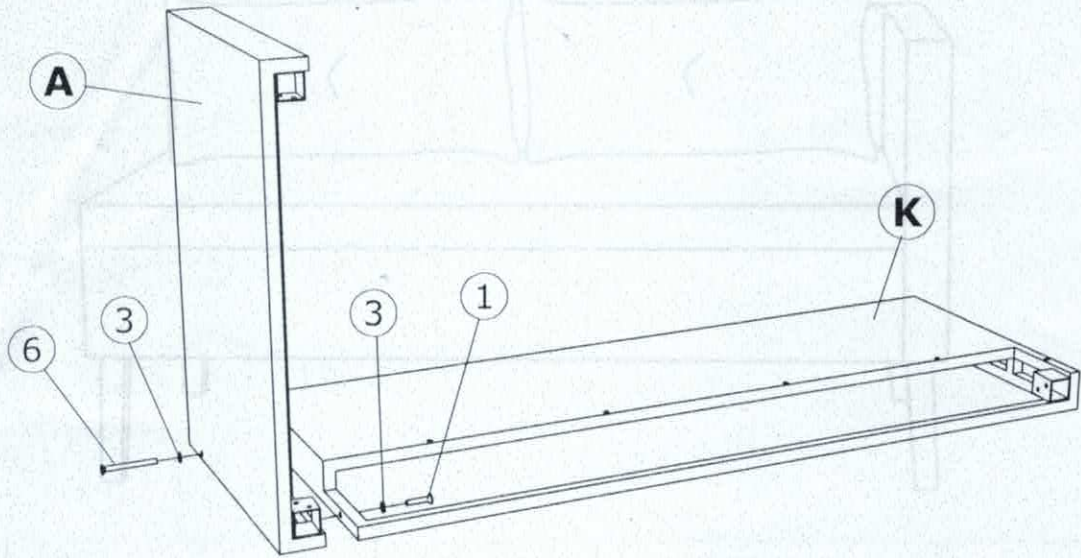




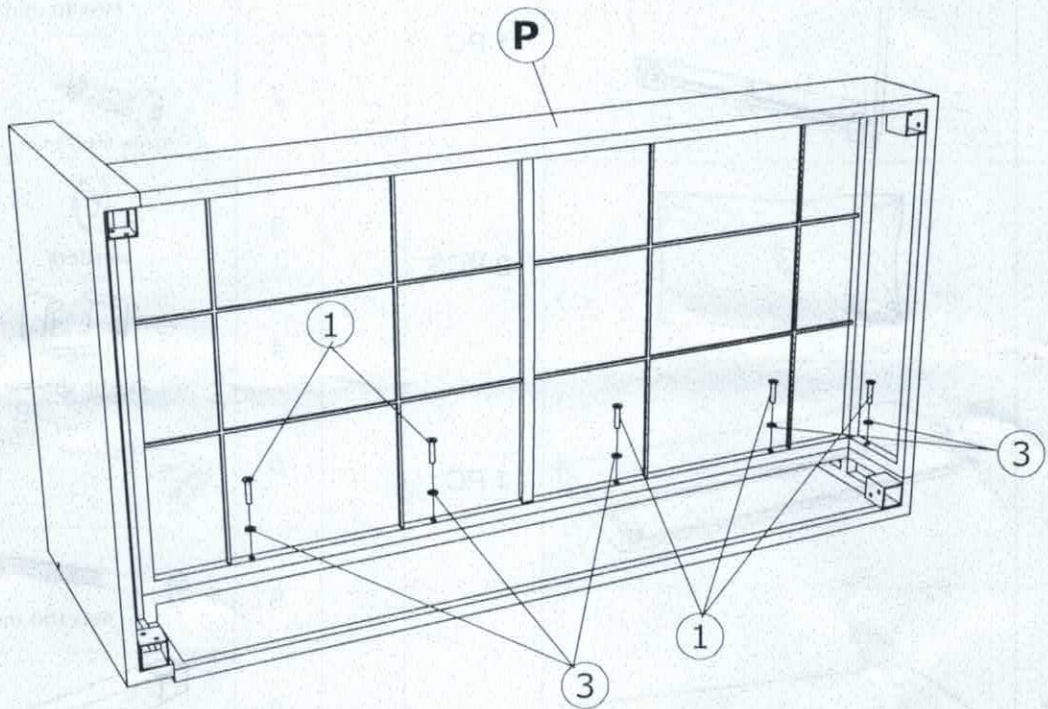
A		1 PC
F		2 PCS
K		1 PC
N		1 PC
P		1 PC

1	 M6x40 mm	10 PCS
2	 Screw M4x25mm	12 PCS
3	 washers	11 PCS
4	 Plastic shackles	4 PCS
5		1 PC
6	 M6x100 mm	1 PCS
8		4 PCS

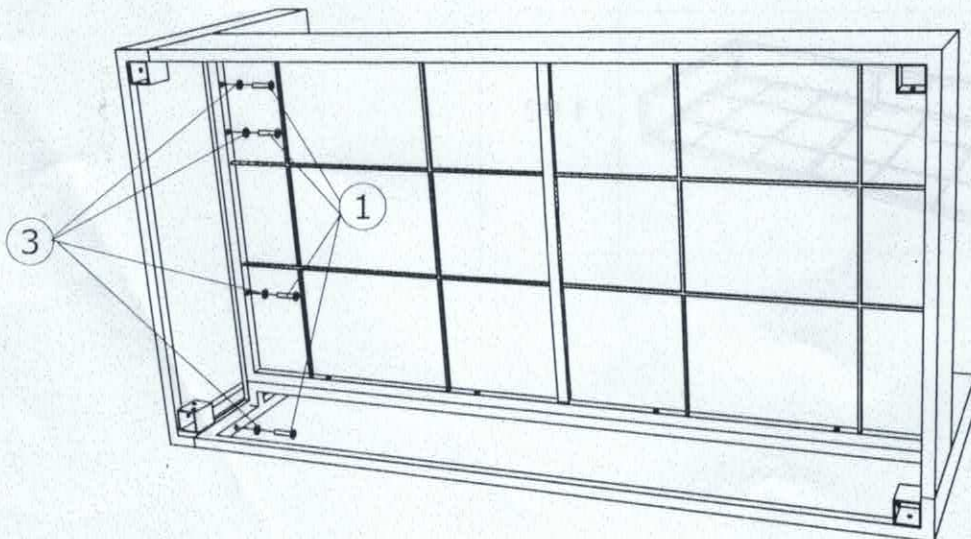
Step 1:



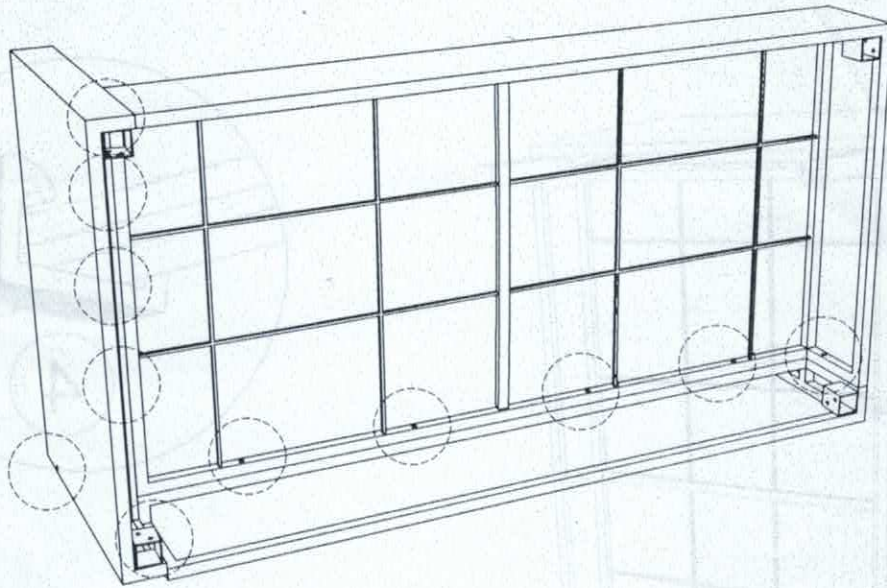
Step 2:



Step 3:

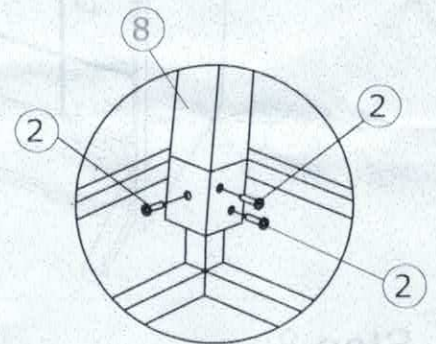
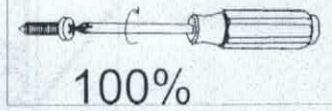
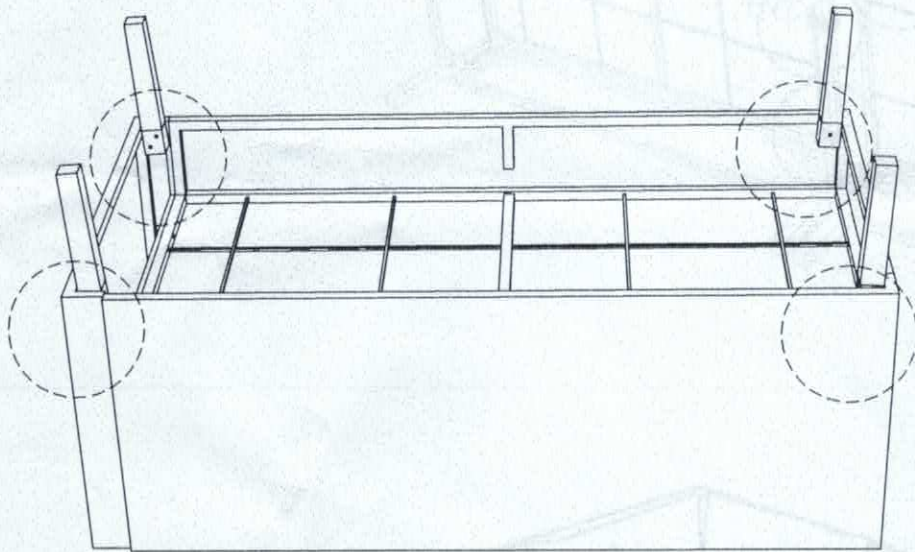


Step 4:

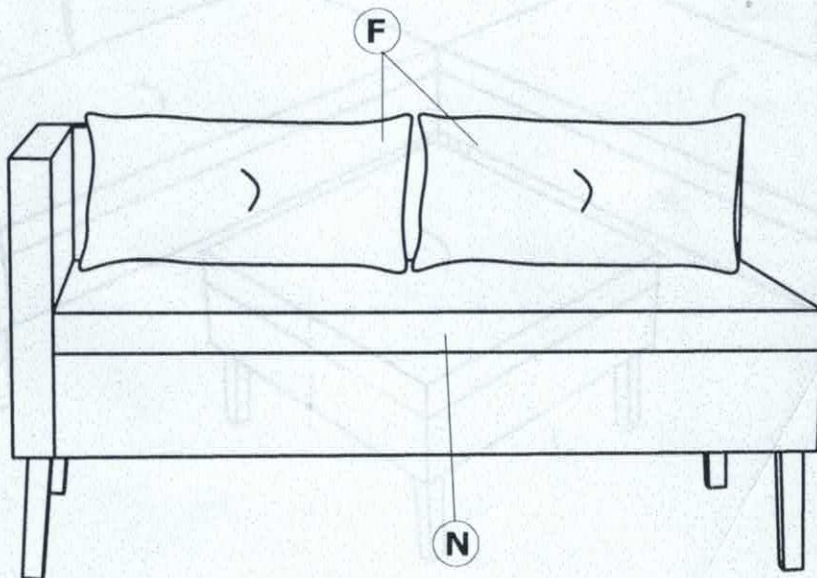


Tighten all bolts 100% - 11 positions

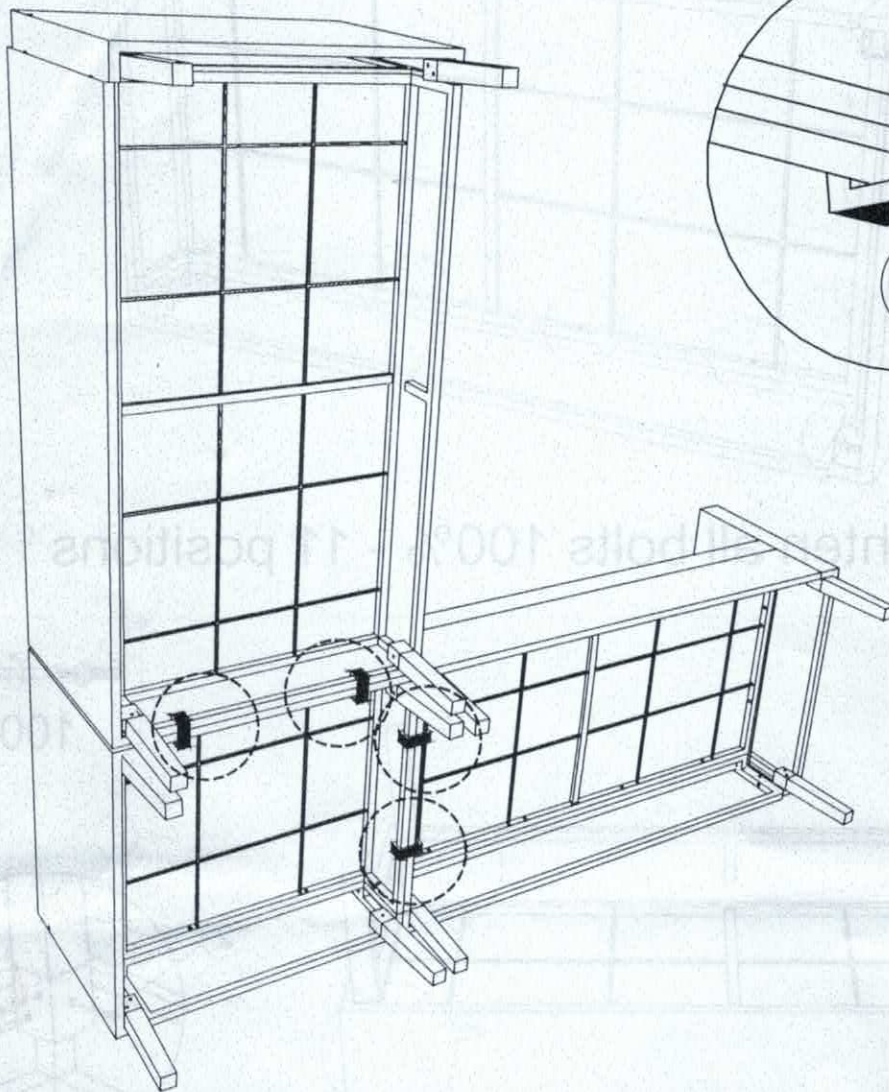
Step 5:



Step 6:



Step 7:



Step 8:

